

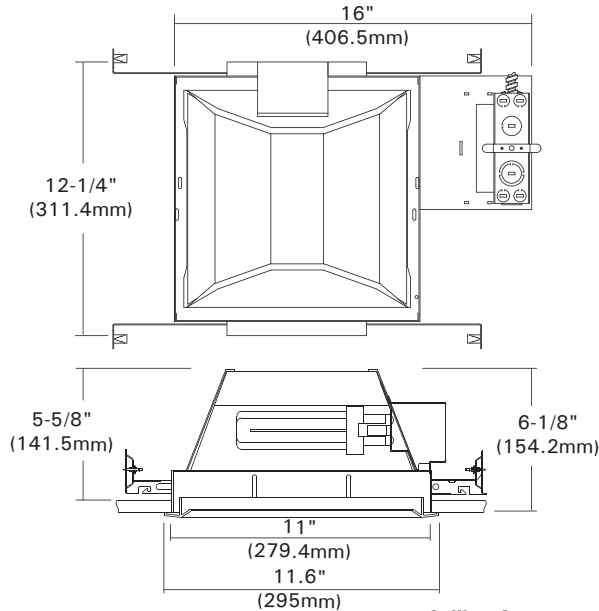
# DLF-1011

## 11" Square Housing For

### (2) DTT/TTT Lamps

Catalog #		Type
Project		Date
Prepared by		

**FLUORESCENT**



Ceiling Cut-out : 11-1/4" x 11-1/4"  
 Lamp, Max, Watt. : (2)42W

### DESCRIPTION

The DLF-1011 is a 11" square aperture housing for (2) horizontal CFL lamps to use with bright aluminium reflector. It designed for use in non-insulated ceiling or for insulated ceilings but insulation must be kept 3" away from all sides of the housing.

### DESIGN FEATURES

#### • Housing

- Galvanized steel housing with white-painted. 6-1/8" height allows use in 2"X6" joist construction.
- Housing adjusts for ceilings up to 1-1/4" thick.

#### • Junction Box

- Listed for through branch circuit wiring. (Max.8 No 12 AWG 75°C branch circuit conductors. (4 in, 4 out)
- (5)1/2" knockouts with true pry-out slots and (4) knockouts with Romex cable clamp.
- Ground wire provided on J-box.

#### • Bar hangers

- Maximum extension by 24" allows excess distance between joists.
- Housing can be positioned at any point within 24" joist span.
- Score lines allow "toolless" shortening for 12" joists. / Bar hangers may be repositioned 90 degrees.
- Integral T-bar clips snaps onto T-bars-no additional clips required.

#### • Trim

- Aluminum Die-cast, white painted square trim with Acrylic lens.

#### • Socket

- G24Q/GX24Q socket for use 4pin DTT, TTT lamps.

#### • Lamp

- Compact Fluorescent lamps.
  - \* DTT-Double twin tube (Quad/CFQ)
    - (2) 13W DTT (4 pin)
    - (2) 18W DTT (4 pin)
    - (2) 26W DTT (4 pin)
  - \* TTT-Triple Twin Tube (CFTR)
    - (2) 18W TTT (4 pin)
    - (2) 26W TTT (4 pin)
    - (2) 32W TTT (4 pin)
    - (2) 42W TTT (4 pin)

#### • Electronic Ballast

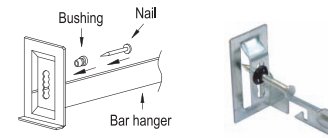
- Class P Thermally protected by internal fuse (3 amp fast blow), Multi-volt electronic ballast or thermal cut-out switch in magnetic ballast.
- High Power Factor Multi-volt Electronic ballasts for 4 pin type compact fluorescent lamps mounted on J-box door for easy access from inside of fixture.

#### \* Listing

- C-UL listed for damp location.
- C-UL listed for feed through.

#### • Just-A-Nail

Adjustable nail hanger bar for easy alignment.



**JUST-A-NAIL**

- Pre-installed nail bars with vertical slots are used to evenly align the bars horizontally after nailing half way into wood joists.

#### • Optional "Quick Connect" push-in wire connectors.

- Three "Quick connectors"
- Pre-installed push-in wire connectors for very fast and easy wiring.

### Trims



**White Square Trim w/ Acrylic Lens**

Frame : 11-5/8" x 11-5/8"

**TMS-14-WH**

### Ordering Information

Housing	Ballast	Lamp(s) Watt.	Option
DLF-1011	-N : 120V NPF Magnetic -H : 120V HPF Magnetic -NE : 120V NPF Electronic -HE : 120V HPF Electronic -E : 120V/277V HPF Electronic	213 : (2)13W    232 : (2)32W 218 : (2)18W    242 : (2)42W 226 : (2)26W	-EM : Emergency w/ Remote Test Switch -C : Quick Connectors

Example : DLF-1011-E232